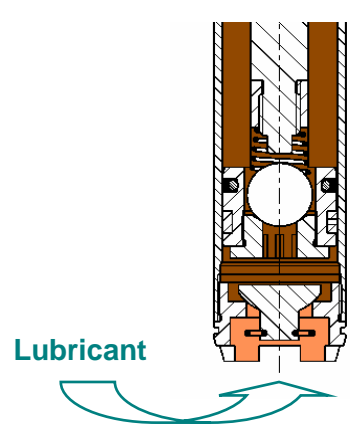
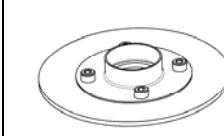
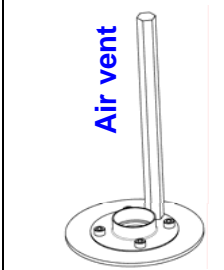
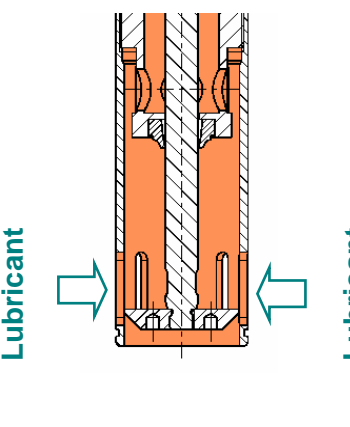
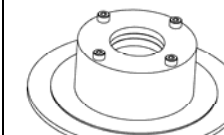
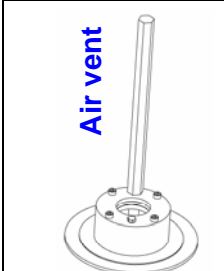


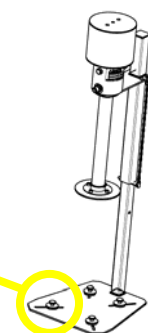
Option Follower plate with or without air vent

Suction system	Follower plate	Container Internal Dia.	Article - No.
<p>5:1 / 10:1</p> 		95 - 105 mm	43220.00
		110 - 120 mm	43222.00
		130 - 140 mm	43221.00
		95 - 105 mm	43220.10
		110 - 120 mm	43222.10
		130 - 140 mm	43221.10

Suction system	Follower plate	Container Internal Dia.	Article - No.
<p>20:1 / 60:1</p> 		95 - 105 mm	43216.01
		110 - 120 mm	43217.01
		130 - 140 mm	43218.01
		95 - 105 mm	43216.00
		110 - 120 mm	43217.00
		130 - 140 mm	43218.00

Option with container centering

Article - No.: [40683.00](#)



DELIVERING - METERING - APPLYING - CONTROLLING

ABNOX Mini Air-Operated Lubricating Unit - the ideal compact dispenser for small quantities of lubricants



ABNOX Mini Air-Operated Lubricating Unit is suitable as feed pump for metering or pumping expensive lubricants from small containers, if a space-saving solution at low cost is required.

Customer Benefits:

- Operator convenience
- Economic efficiency
- High quality standard
- Balanced price/performance ratio
- High reliability
- Fast and comfortable change of container
- Low weight / desktop design model
- Easy to transport



ABNOX Mini Air-Operated Lubricating Unit are suitable optimally for assembly systems as:

- Assembly machines, manual operation (assembly line, single assembly work stations)

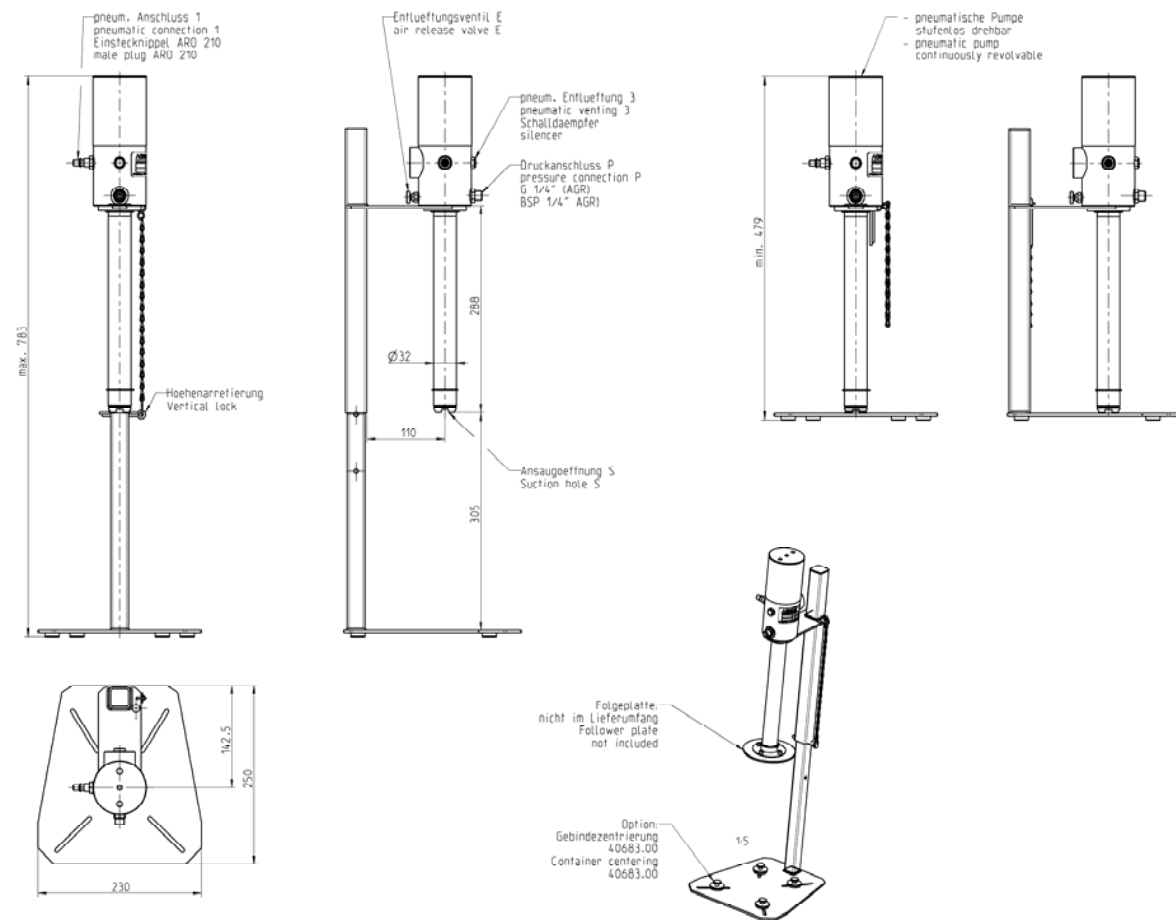


A high pressure hose with integrated air supply line allows quick and easy connection to ABNOX Metering Valves.

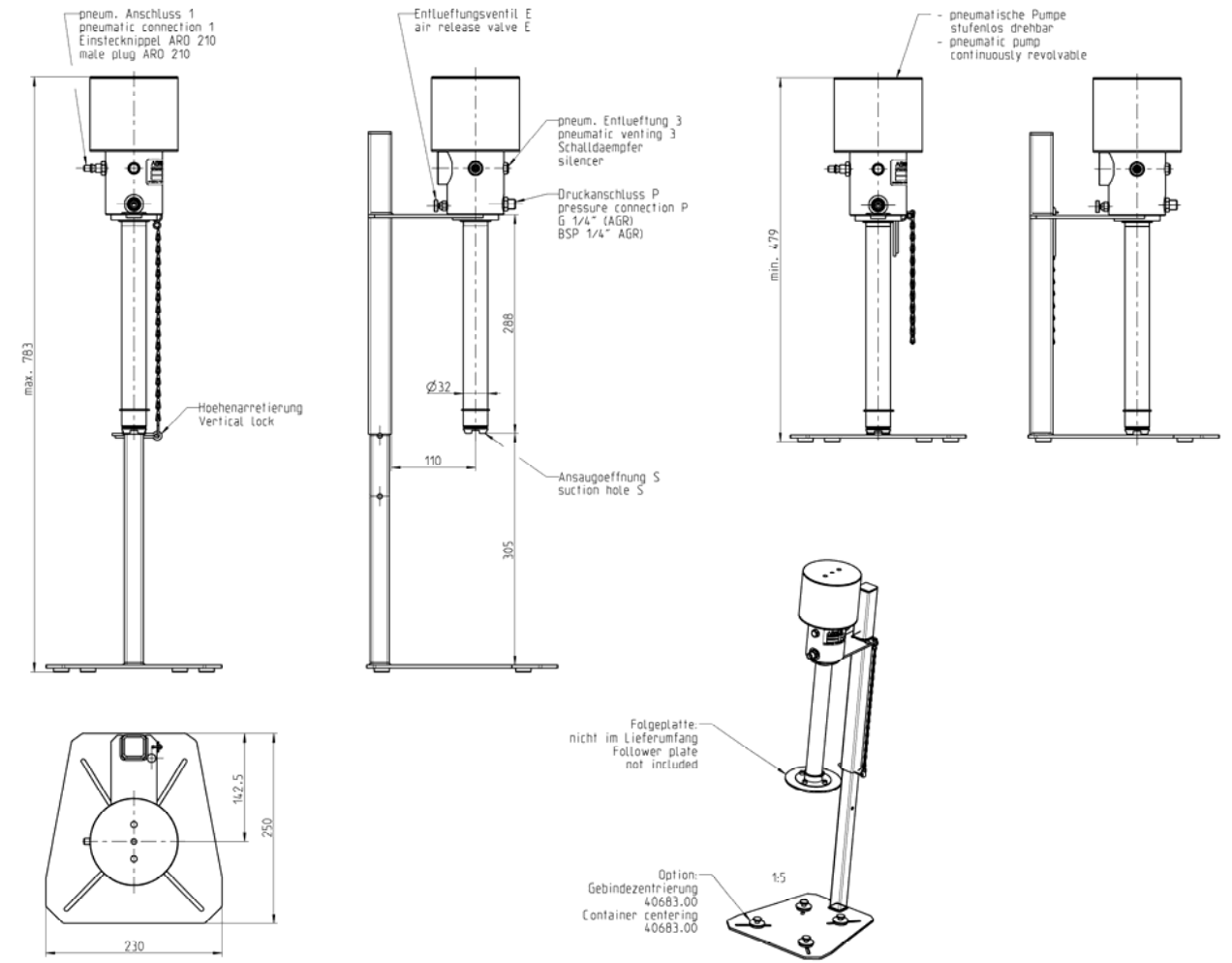
Technical data

Pressure ratio	5:1	10:1	20:1	60:1
Article No.:	40650.20	40655.20	40656.20	40658.20
Pressure connection pump	2-10 bar			
Optimum operating air pressure	6 bar			
Outlet pressure at 6 bar air pressure	27 bar	67 bar	115 bar	335 bar
Max. pressure	45 bar	111 bar	191 bar	558 bar
Max. output at pump outlet	1500 cm ³ /min.	1350 cm ³ /min.	890 cm ³ /min.	500 cm ³ /min.
Air amount	217 l/min.	217 l/min.	217 l/min.	150 l/min.
Size of container	1-5 kg			
Viscosity	Up to NLGI 3 max. 5'000 mPa s			
Max. height of container	300 mm			
Max. container internal dia.	210 mm			

Dimensioned Sketch Mini Air-Operated Lubricating Unit, pressure ratio 5:1 / 20:1



Dimensioned Sketch Mini Air-Operated Lubricating Unit, pressure ratio 10:1 / 60:1



Technical data

All technical data and pictures are for information only and without responsibility. All design is subject to change without notice.