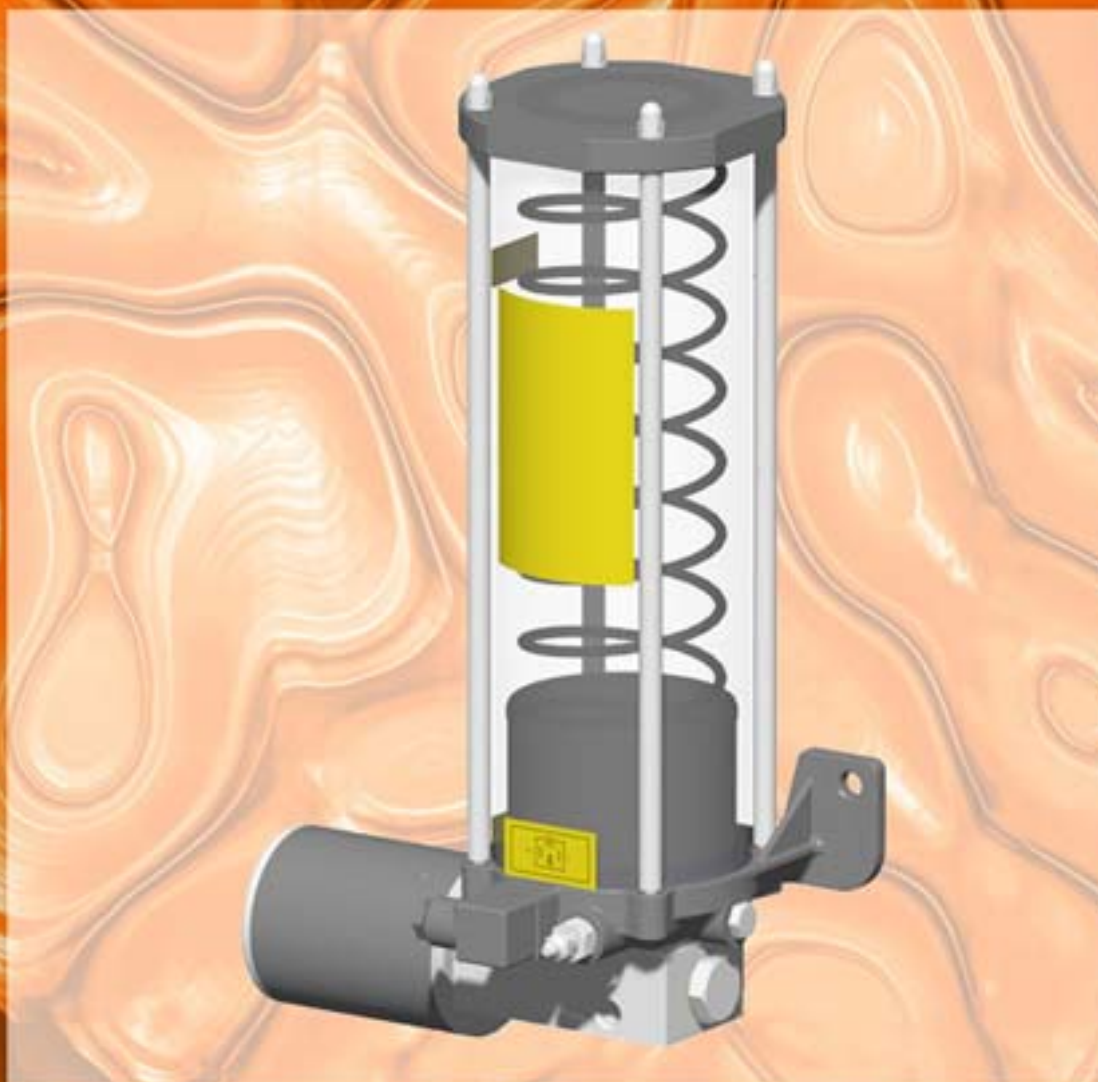


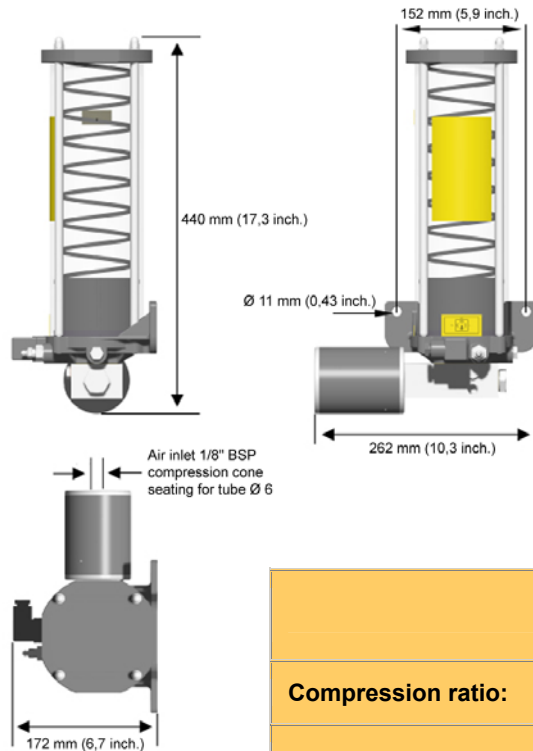
LOCOPUMP

A pneumatic pump solution for
progressive lubrication systems
with grease NLGI 2 max



Automatic Lubrication System

NEW GREASE PNEUMATIC PUMP



The Dropsa "LOCOPUMP" is a pump of sturdy construction and high reliability, consisting of a zinc plated steel body, a hardened and lapped steel piston and a pneumatic driven cylinder housing containing a piston equipped with an oil resistant rubber gasket.

The reservoir is made of transparent shockproof plastic and incorporates an electric level control-switch.

TECHNICAL DATA

Compression ratio:	50:1
Air pressure:	min. 3 bar (44 psi) max. 6 bar (88 psi)
Fixed delivery:	2 cm ³ per stroke
Lubricant outlet:	G 1/4" BSP
Compressed air inlet:	G 1/8" BSP Compression cone seating \varnothing 6 mm tube
Re-filling valve:	Standard grease nipple
Lubricant:	Grease NLGI 2 max.
Minimum level contact:	Max. commutable 100 V D.C. Max. commutable current 0.25 A Max. commutable power: 8 W (NO) – 3 W (NC)



ORDERING INFORMATION

P/N	Description
3413050	Locopump
ACCESSORIES	
1639076	VIP controller (power supply: 24 V D.C.)
1639077	VIP controller (power supply: 110/220 V)
3132585	Pump delivery adjustment kit

Web site:
<http://www.dropsa.com>

E-mail:
sales@dropsa.com

WK 13/03
C2069PE

ITALY
Dropsa SpA
t.(+39) 02-250791
f.(+39) 02-25079767

SPAIN
Polydrop, S.A.
t.(+34) 93-260-22-50
f.(+34) 93-260-22-51

U.S.A.
Dropsa Corporation
t.(+1) 586-566-1540
f.(+1) 586-566-1541

U.K.
Dropsa (UK) Ltd
t.(+44) 01784-431177
f.(+44) 01784-438598

BRAZIL
Dropsa
t.(+55) 011-563-10007
f.(+55) 011-563-19408

GERMANY
Dropsa GmbH
t.(+49) 0211-394-011
f.(+49) 0211-394-013

AUSTRALIA
Dropsa Australia Ltd.
t.(+61) 02-9938-6644
f.(+61) 02-9938-6611

FRANCE
Dropsa Ame
t.(+33) 01-3993-0033
f.(+33) 01-3986-2636