

Features

- Integral porting adapter for simple single or double outlet conversion, thus providing reduced stock by eliminating external crossports and singling bars.
- Air bleed valves built into base
- BSP threads available
- Operates up to 500 bar (7.200 PSI)
- Operates with Oil or Grease
- Full monitoring controls
- The components are zinc-plated
- The bases are always supplied complete with standard O-rings and fixing screws

Advantages

- Conventional tie rods are eliminated. There is no maximum limitation on the number of elements which can be used on the assembly.
- Auxiliary by-pass elements can be installed in the assembly to accommodate an increase or decrease in points without disturbing the base assembly or pipework
- Lubricant volume can be easily increased or decreased during system commissioning or service without disturbing the base assembly or pipework

Modular progressive distributors SMX Stainless Steel AISI 316

Easy and flexible assembly and low cost maintenance



The modular system consists of two main components: the base and the metering elements.

The modular progressive distributor is available in two versions: stainless steel Aisi 316.

Conventional bridging pieces are eliminated. Bridging elements have been introduced and these interconnect and discharge into the adjacent element.

The distributor assembly

principle enables factory floor distributor assembly to accommodate grouping of lubrication points.

The base assembly can be mounted and piped up without the metering elements. This provides the most advantageous routing of pipe work and the elements can then be fitted to suit.

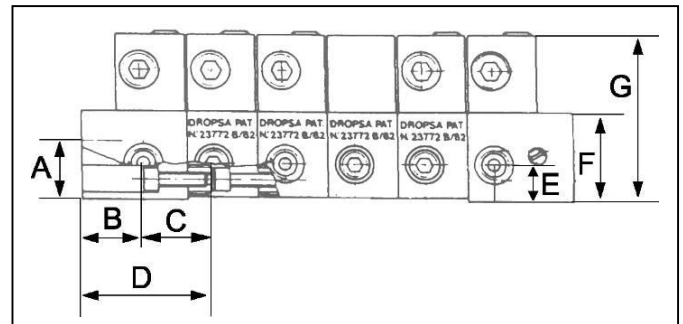
Due to the modular concept, the system can be easily extended with extra components at a low cost.



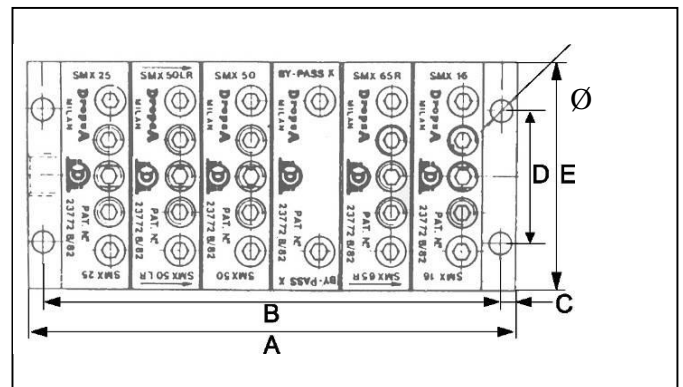
Delivery and Dimensions

SMX METERING ELEMENTS			
DELIVERY PER OUTLET		1 OR 2 OUTLETS	
CU. IN.	Cm ³	Symbol	AISI 316
.0024	.04	SMX 04	646524
.005	.08	SMX 08	646516
.010	.16	SMX 16	646517
.015	.25	SMX 25	646518
.021	.35	SMX 35	646519
.025	.40	SMX 40	646520
.030	.50	SMX 50	646521
.036	.60	SMX 60	646522
.040	.65	SMX 65	646523

SMX DIMENSIONS							
A		B		C		D	
mm	in	mm	in	mm	in	mm	in
20	0.78	20.2	0.78	23.42	0.91	35	1.36
E		F		G			
mm	in	mm	in	mm	in		
12.5	0.72	30	1.17	56	2.2		



SMX DIMENSIONS				
No. Elements	A		B	
	mm	in	mm	in
3	93,02	3.6	83,02	3.2
4	116,44	4.5	106,44	4.1
5	139,86	5.4	129,86	5.1
6	163,28	6.4	153,28	6.1
7	186,70	7.2	176,70	6.9
8	210,12	8.2	200,12	7.8
9	233,53	9.1	223,53	8.7
10	256,95	10.1	246,95	9.6
11	280,37	10.9	270,37	10.5
12	303,79	11.8	293,79	11.4
13	327,21	12.8	317,21	12.4
14	350,63	13.7	340,63	13.3
15	374,05	14.6	364,05	14.2
16	397,47	15.5	387,47	15.1
17	420,89	16.4	410,89	16.1
18	444,30	17.3	434,30	16.9
19	467,72	18.2	457,72	17.8
20	491,14	19.1	481,14	18.8



SMX DIMENSIONS							
Type	C		D		E		Ø
	mm	in.	mm	in.	mm	in.	
SMX	5,0	2	44,45	1.73	76	2.9	7.2

The base

The base is made up of a minimum of three segments:

- Inlet base
- Intermediate base
- End Base

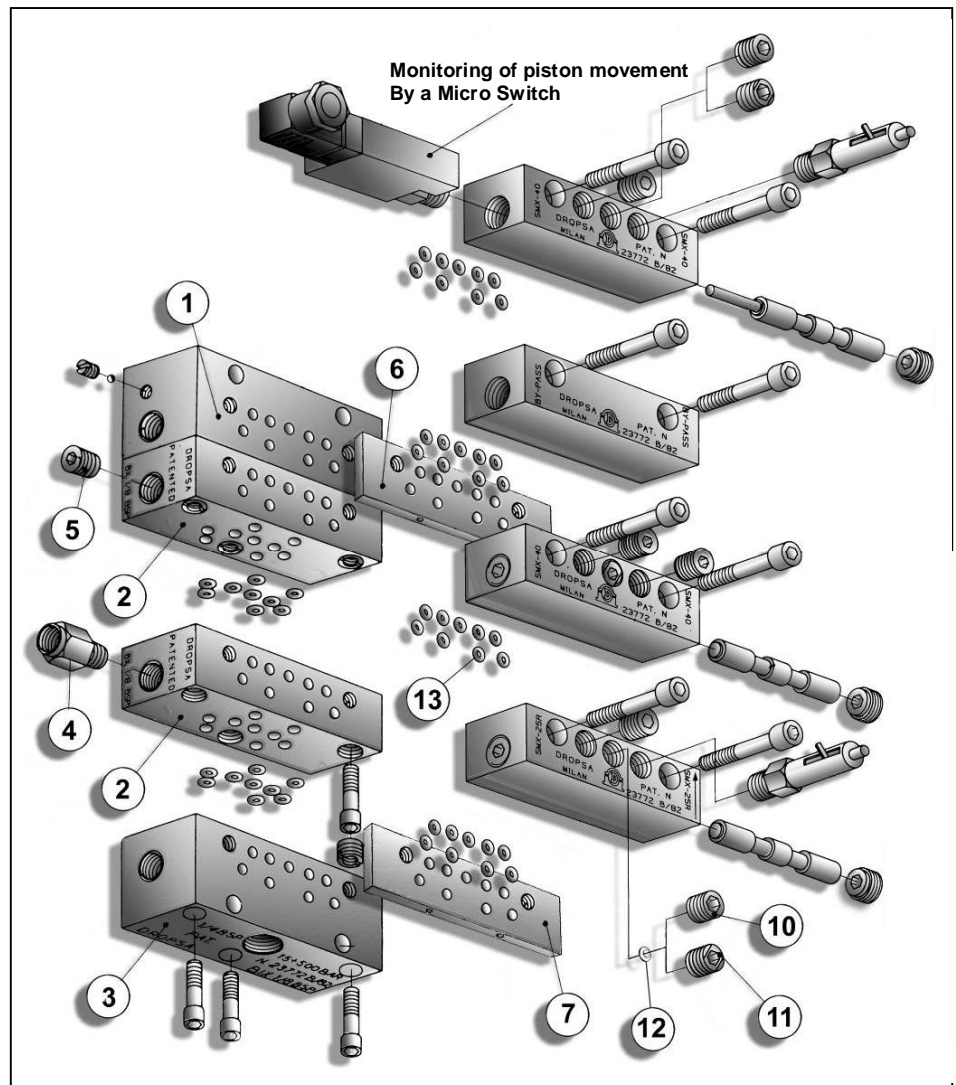
And can be increased in unlimited number by addition of intermediate sections.

This revolutionary system makes the assembly easy and flexible; there is no need to determine in advance the size of the base, just add on distributors in unlimited number by means of very simple threaded inserts supplied for the assembly (Patented).

This simple technique allows the system to operate even at very high pressure without any leakage in the assembly.

There is also the possibility of ordering with one part number only, the end base + the intermediate base already assembled. Simply add on the inlet base and you have a three base assembly.

With just 3 screws!



Ref.	Description	SMX AISI 316
	Inlet Thread	1/4 BSP
	Outlet Thread	1/8 BSP
1	End Base	646515
2	Intermediate base	646513
3	Inlet base	646512
4	Check Valve	519335
5	Plug	646254
6	Bridge Plate Left - Right	646223
7	Bridge Plate Left	646221
8	Bridge Plate Right	646220
9	Bridge Plate Single outlet	646222
10	White adaptor for single outlet	646251
11	Yellow adaptor for two separate outlets	646250
12	Holding Disc	641791
13	Holding Viton O ring	

Contacts

www.dropsa.com
sales@dropsa.com

ITALIA

Dropsa SpA
t. +39 02-250791
f. +39 02-25079767

U.K.

Dropsa (UK) Ltd
t. +44 (0)1784-431177
f. +44 (0)1784-438598

GERMANY

Dropsa GmbH
t. +49 (0)211-394-011
f. +49 (0)211-394-013

FRANCE

Dropsa Ame
t. +33 (0)1-3993-0033
f. +33 (0)1-3986-2636

ESPAÑA

Polydrop, S.A.
t. +34 (0)93-260-22-50
f. +34 (0)93-260-22-51

U.S.A.

Dropsa Corporation
t. +1 586-566-1540
f. +1 586-566-1541

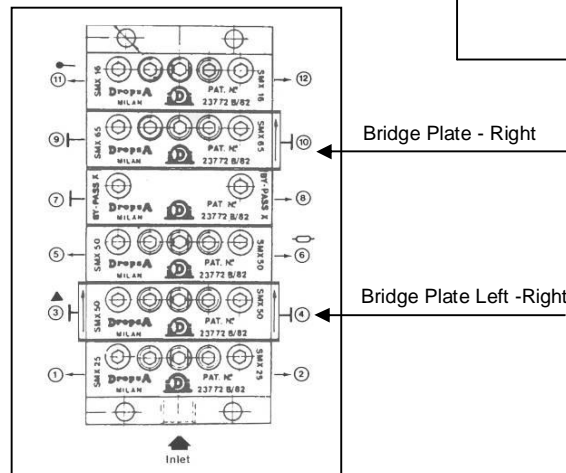
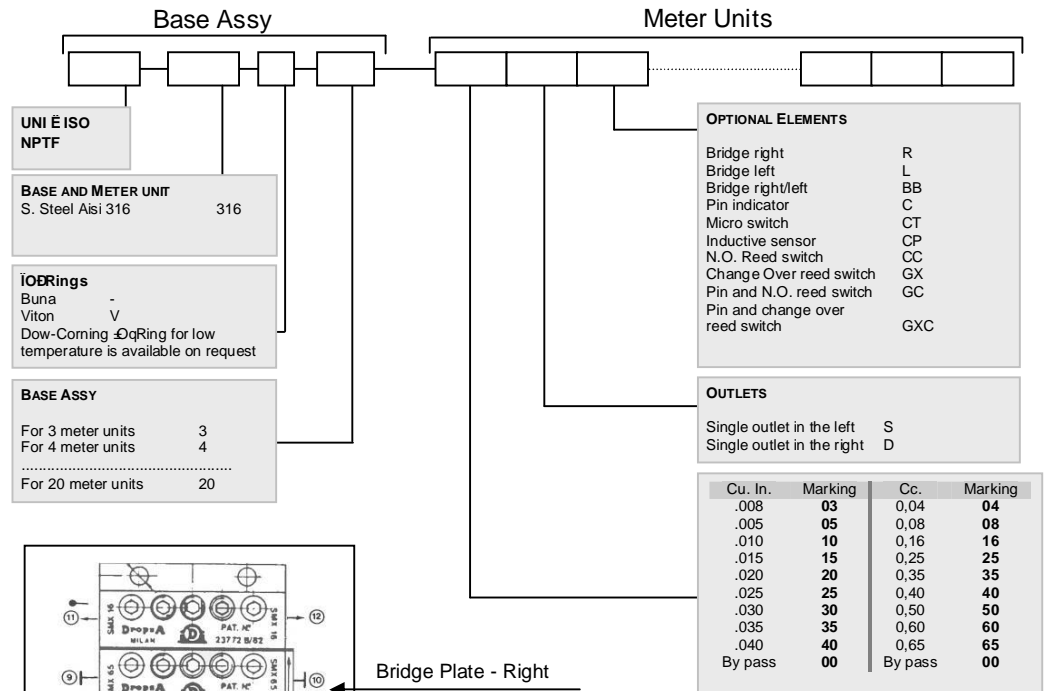
AUSTRALIA

Dropsa Australia Ltd.
t. +61 (0)2-9938-600644
f. +61 (0)2-9938-6611

BRAZIL

Dropsa
t. +55 (0)11-563-10007
f. +55 (0)11-563-19408

How to order

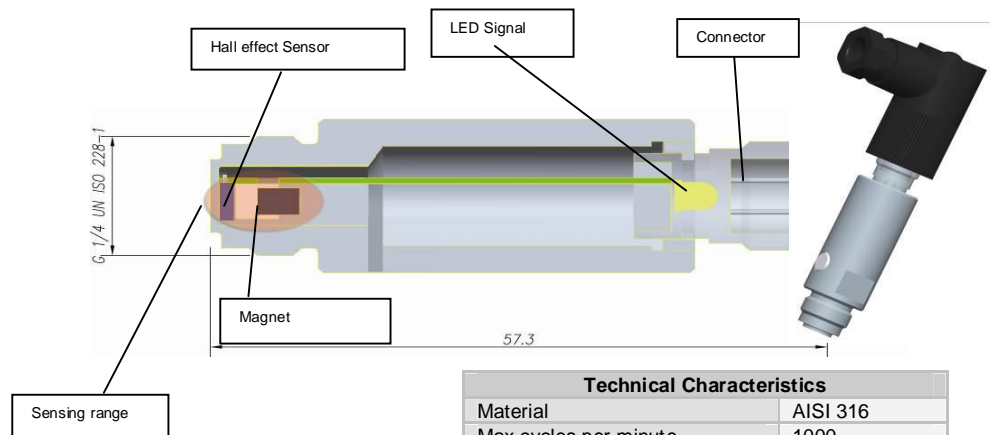


Order Example

SMX È 6 (M25 È M50LR È M50CP È 00 È M65R È M16C)

Note: the assembly is seen vertically and the outlets are in sequence; starting from the bottom (inlet) from left to right. Symbol ±Rq refers to bridge elements.

UltraSensor - Sensor for SMX



Description	Part. No.
Sensor for SMX	1655301
Connector	39999

Technical Characteristics	
Material	AlSI 316
Max cycles per minute	1000
Voltage (V DC)	8 ÷ 28 V DC
Output signals	NPN 2A N.O. PNP 0,7A N.O.
Operating temperature	-10 °C ÷ +60 °C (-4 °F ÷ +158 °F)
Connector	M12x1
Protection degree	IP 67

Dealer: